

2JD0419

(DATASHEET)

Type	Dipole Smart Meter Antenna
Frequencies	169MHz
Mounting	Patch mount Screw mount
Revision	00



1. SPECIFICATION

1.1. Electrical Specifications

Frequencies	169MHz
Impedance	50 Ohms
Polarization	Linear
Gain	2dBi Max.
VSWR	<2:1
Operating temperature	-40°C to +85°C

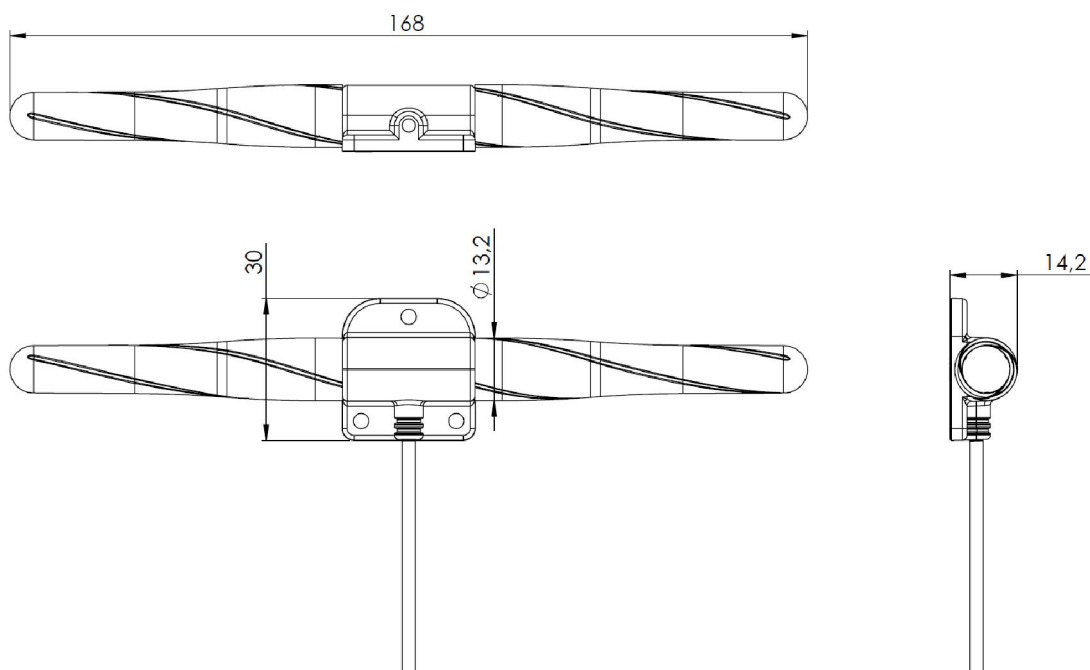
1.2. Connection Specifications

Connector type:	SMA male
Cable:	RG174U
Cable length:	250 cm

For different connector type ask our sales team.

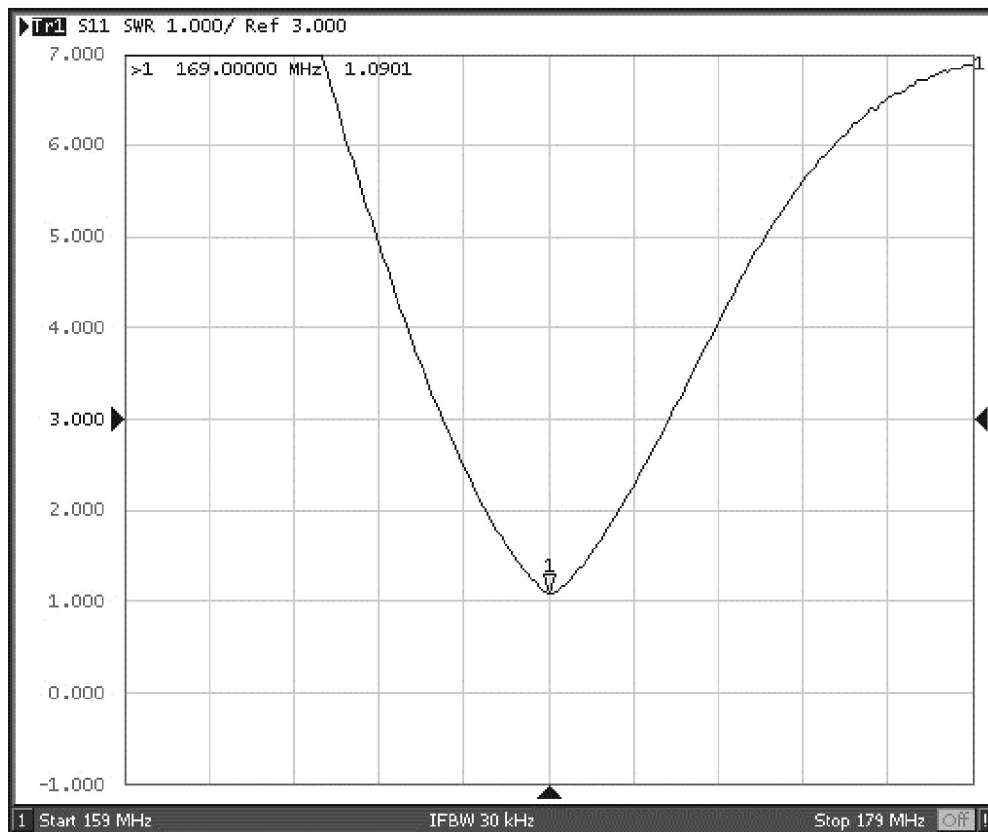
1.3. Mechanical Specifications and Dimensions

Max. dimensions:	168mm x 30mm x 14.2mm (W x H x T)
Colour:	Black (for different colours please ask our sales team)
Mounting:	Patch mount (thickness 1mm) Screw mount (d=3mm)

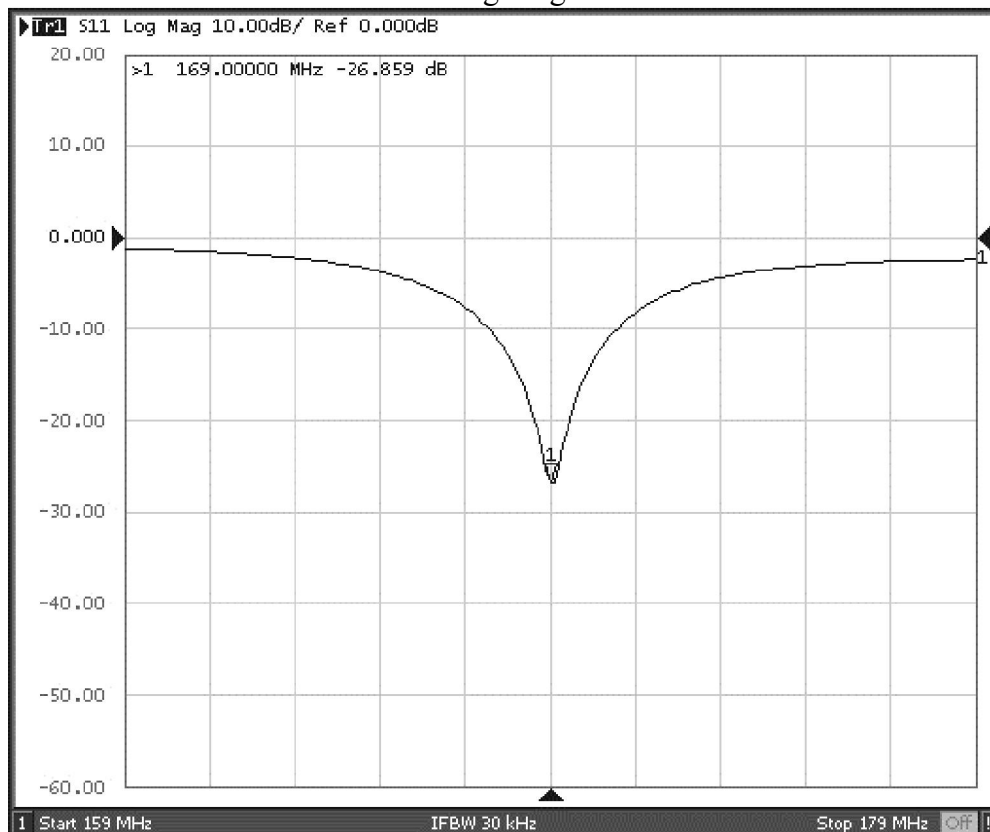


2. MEASUREMENT

VSWR



Log Mag



3. IMAGES

