

2J2102K-B07H

2.4/5.0 GHz ISM Wall Mount

Key Features

2.4/5.0 GHz ISM

- 2410-2490 MHz
- 4920-5925 MHz

Wall Mount

High Gain 3.3 dBi (2.4 GHz) / 5.8 dBi (5.0 GHz)

Ground Plane Independent

Customizable Cable and Connector

Dimensions 271 × 30 × 115 (219 × Ø 16) mm



1. Antenna and electrical specifications

Parameters	2.4/5.0 GHz ISM Antenna	
Standards	WiFi, BT, ZigBee, ISM	
Band (MHz)	2.4 GHz	5.0 GHz
Frequency (MHz)	2410-2490	4920-5925
Return Loss (dB)	~-10	~-10
VSWR	~1.9:1	~1.9:1
Efficiency (%)	~55	~54
Peak Gain (dBi)	~2.9	~4.0
Average Gain (dB)	~-2.6	~-2.7
Impedance (Ohm)	50	
Polarisation	Linear	
Radiation Pattern	Omni-Directional	
Max. Input Power (W)	25	
Connector Type	Most RF Connectors (SMA-Male Standard)	
Cable Length	Any Cable Length (300cm Standard)	
Cable Type	Other Cables Available (LM195 Standard)	

Antenna Measurement Conditions:

Free Space

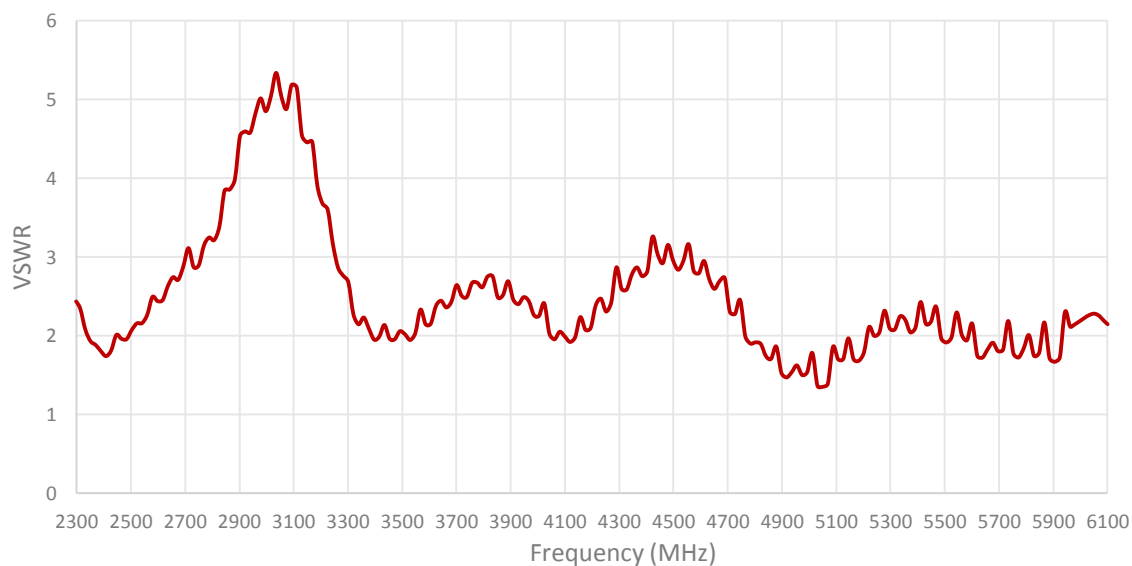
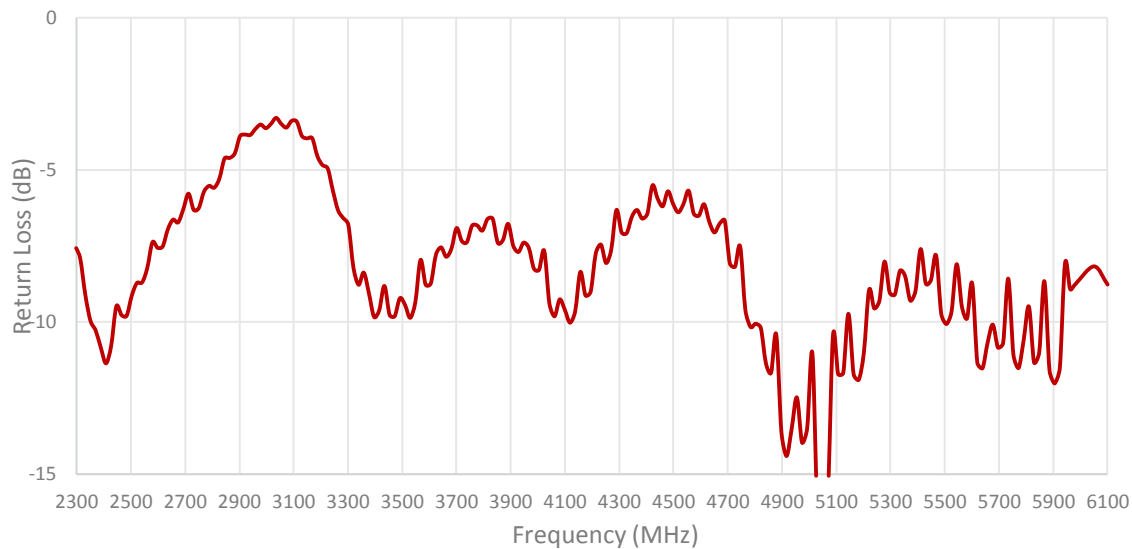
200 cm LMR195 Cable

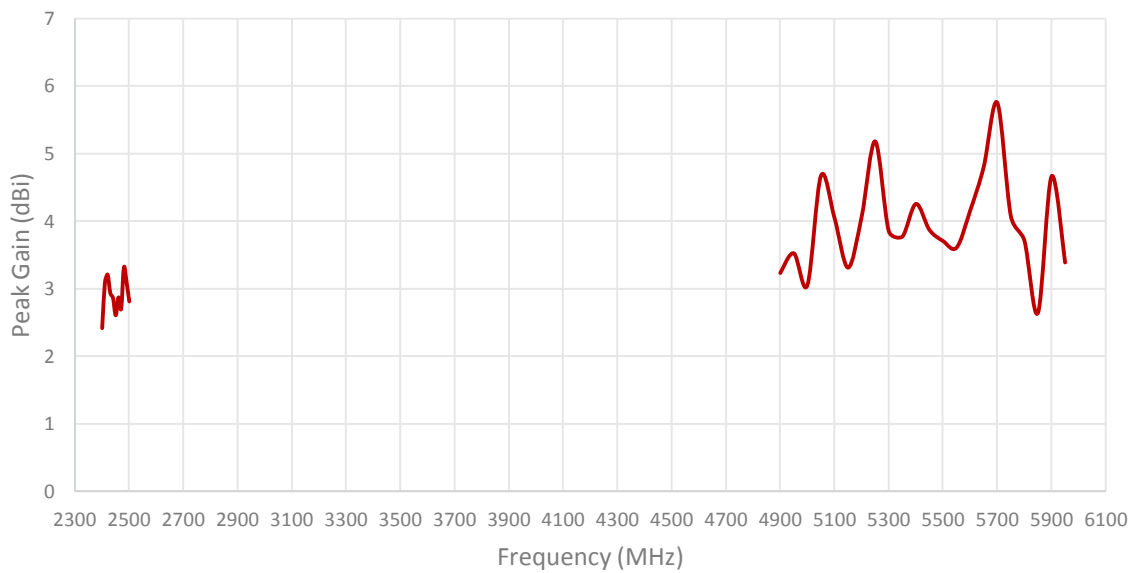
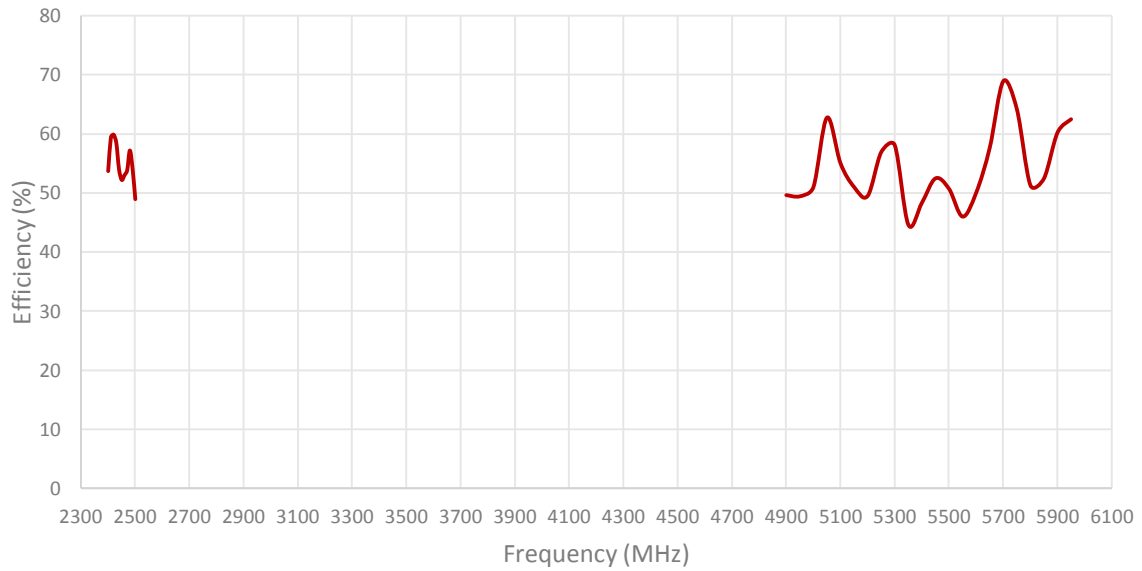
Measured in Certified CTIA 3D Anechoic Chamber

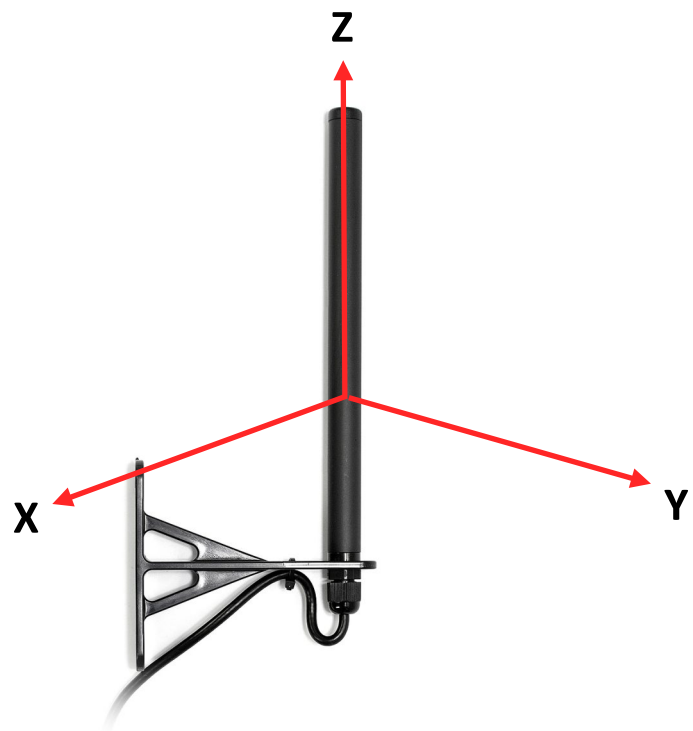
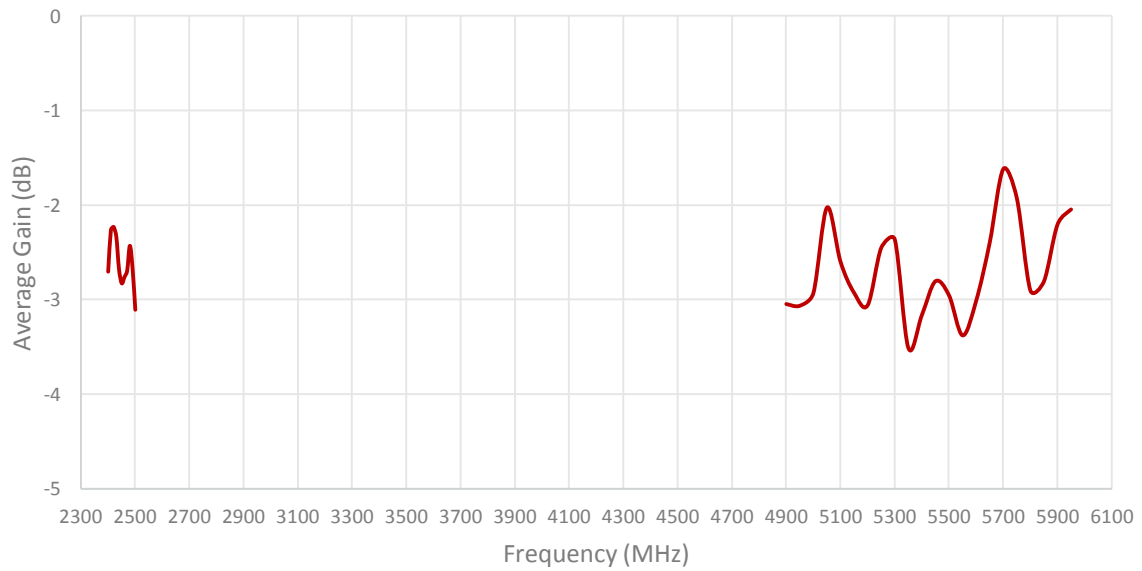
2. Mechanical and environmental specifications

Specifications	2J2102K-B07H
Mounting Type	Wall Mount
Dimensions (mm)	271 × 30 × 115 (219 × Ø 16)
Radome	PC/ABS UV Stable
Radome color	Black
Bracket	PC/ABS UV Stable
Operating Temperature (C)	-40 to +85
Storage Temperature (C)	-40 to +85
Substance Compliance	RoHS

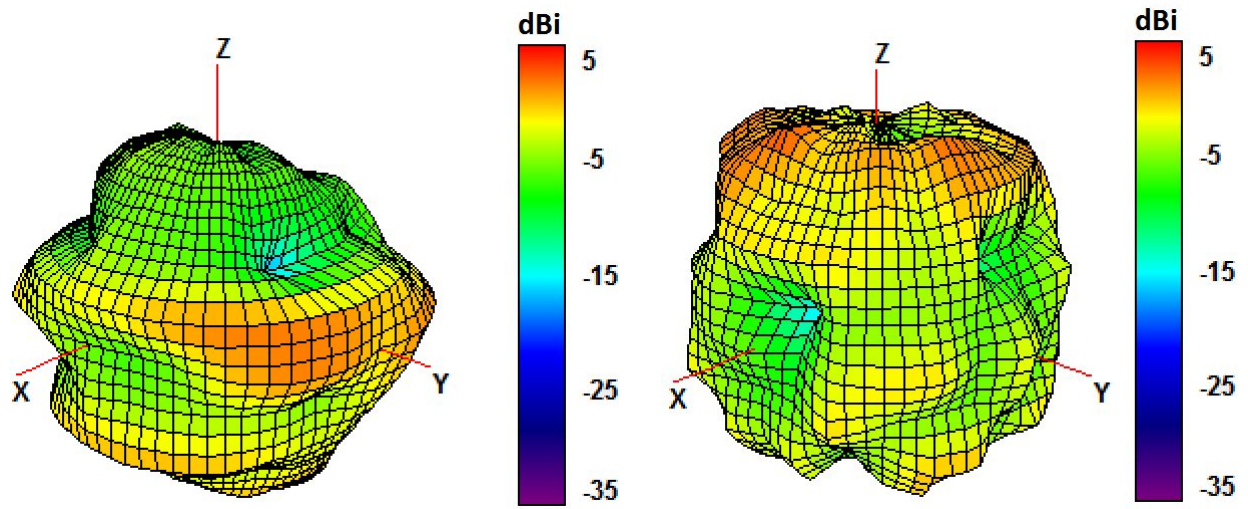
3. Antenna parameters





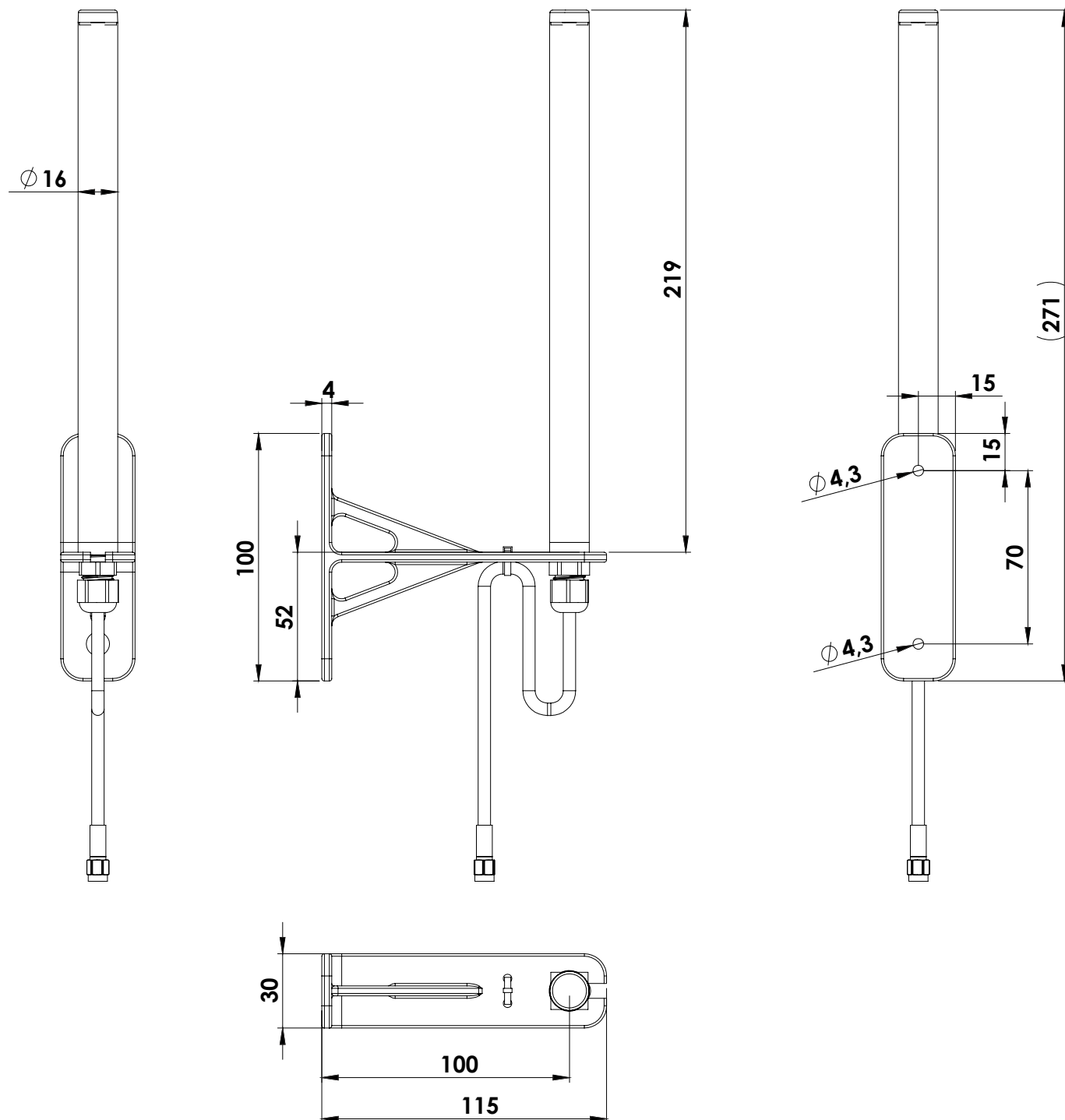


Radiation pattern reference



2450 and 5500 MHz Radiation pattern

4. Antenna drawings



5. Antenna Images

