

2J5004P

Type	Multiband antenna
Frequencies	AMPS (824-894 MHz) GSM (900 MHz) DCS (1800 MHz) PCS (1900 MHz) 3G (UMTS 2.1 GHz) WIFI / BLUETOOTH (2.4 GHz)
Mounting	Glass Mount Patch Mount
Revision	01



1. SPECIFICATION

1.1. Electrical Specifications

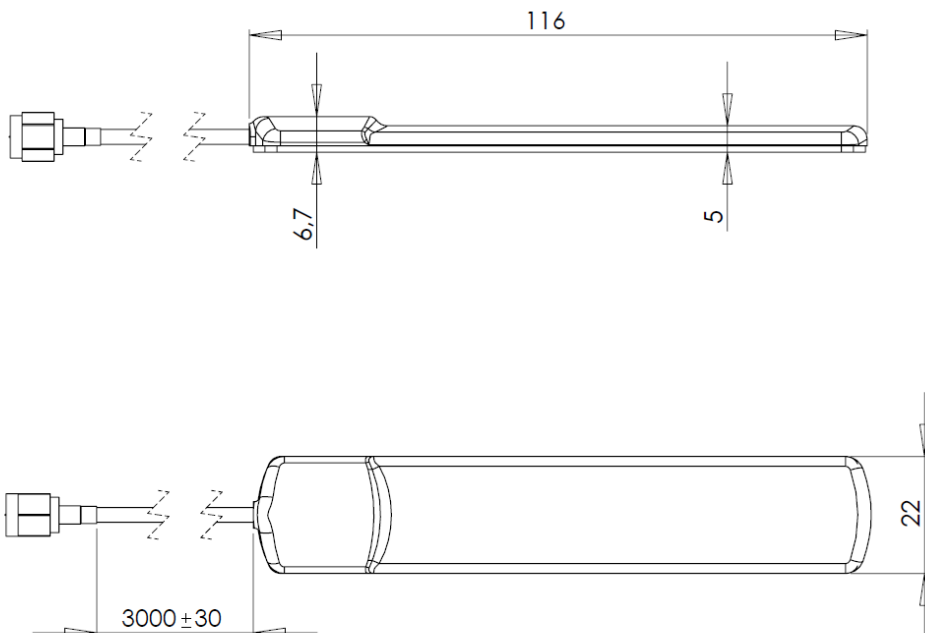
Frequencies	AMPS (824-894 MHz) GSM (900 MHz) DCS (1800 MHz) PCS (1900 MHz) 3G (UMTS 2.1 GHz) WIFI / BLUETOOTH (2.4 GHz)
Impedance	50 Ohms
Polarization	Linear
Gain	0dBi
VSWR	<2:1
Power handling	25W
Operating temperature	-40°C to +85°C

1.2. Connection Specifications

Connector type: FME female
Cable: RG174
Cable length: 250 cm

1.3. Mechanical Specifications and Dimensions

Material: ABS
Max Dimensions: 6.7mm x 116mm x 22mm (H x L x W)
Weight: 55 g ‘counted with default connection’
Color: Black (for different colours please ask our sales team)

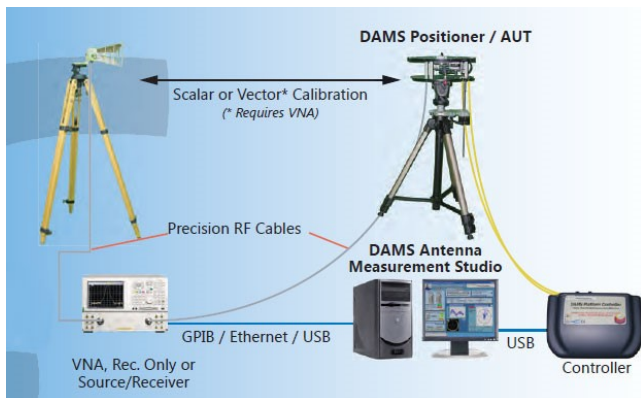


2. MEASUREMENT

2.1. Set for Measurements

Connection: Used default cable length and connection.
 Temperature: 25 °C
 Input power: 0 dBm

DAMS positioner with AUT and reference antenna are placed in anechoic chamber



2.2. Electrical Characteristics

- Tested with 2.5m cable length and placed on glass

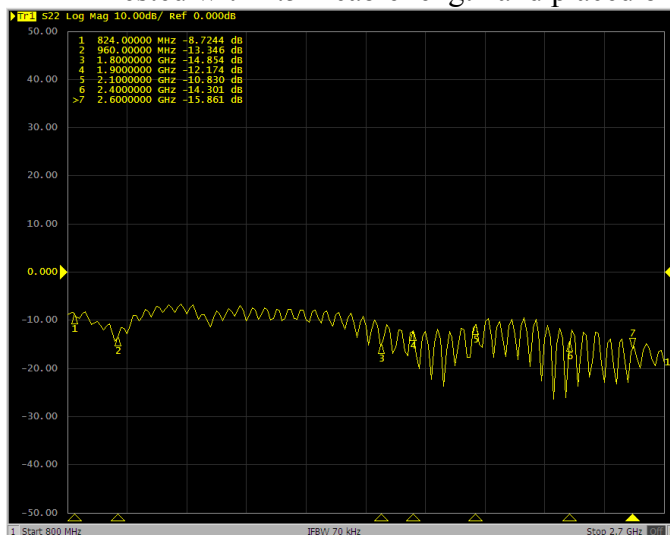


Figure 1 - Log Mag

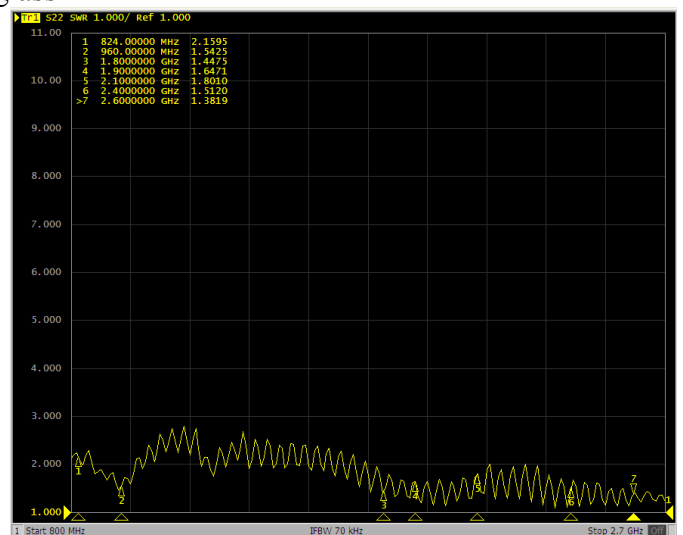


Figure 2 - VSWR

3. PLACEMENT RECOMMENDATIONS

- Clean flat surfaces
- Tuned for working on glass
- Don't cover with any materials

4. IMAGES

