



## BACH I5 8365UE

- Intel® Core i5 8365UE 4-core 8-Thread 1.6 GHz (Base) / 4.1 GHz (Turbo), 15W
- 2x DDR4 2400 MHz up to 32 GB RAM
- Extended power supply range from 9V to 24V
- 2x LAN Intel® Gigabit Ethernet
- 2x 4K Video interface (HDMI - DP)



### MAINBOARD

**CPU:** Intel® Core i5 8365UE  
4 Core / 8 Thread  
1.6 GHz (Base) / 4.1GHz (Turbo) 15W

### MEMORY

**Capacity:** up to 32GB  
**Frequency:** 2400 MHz  
**Type:** 2x SO-DIMM DDR4

### STORAGE

**SATA:** 1x SATA3  
**mSATA:** 1x M.2 M-Key (2242/2260/2280)  
Support PCIe x4 (NVMe) & SATA  
**Storage Bay:** 1x Internal 2.5" SSD Bay

### I/O INTERFACE

**Serial ports:** 1x COM RS232/422/485  
3x COM RS232  
**USB ports:** 4x USB 3.1,  
2x USB 2.0,  
1x USB Type C (3.1 Gen 2)  
(Only for DATA)  
**Mini-PCIe:** 1x M.2 E-Key (2230)  
CNVi WIFI module (Standard)  
**AUDIO:** 1x Headphone Jack,  
1x MIC Jack  
1x Line-out Jack  
**Optional:** 1x COM or GPIO

### VIDEO

**GPU:** Intel® HD 620 Graphics  
**Interface:** 1x HDMI 1.4 (Up to 4096x2304 @30Hz)  
1x DP 1.2 (Up to 4096x2304 @60Hz)

### ETHERNET

**LAN:** 1x Intel i219LM PHY Gigabit LAN  
(iAMT 11.0)  
1x Intel i211AT Gigabit LAN

### POWER

**Power in:** 9 to 24V, DC-in  
**Power consumption:** 60W max  
**Adapter:** AC\_90~240V / DC\_12V\_5A/60W

### MECHANICAL

**Material:** Lightweight aluminum alloy  
with extruded aluminum IO panel  
**Dimensions:** (W)193x(D)142.4x(H)62mm  
**Weight:** 2.2Kg  
**Mounting:** WallMount + DIN Rail

### ENVIRONMENT

**Operating temp.:** -20°C to 60°C  
**Storage temp.:** -20°C to 70°C  
**Humidity:** 40% to 60% Humidity, non-condensing  
**EMC:** CE, FCC, RoHS, LVD

## SARC ITALIA SRL

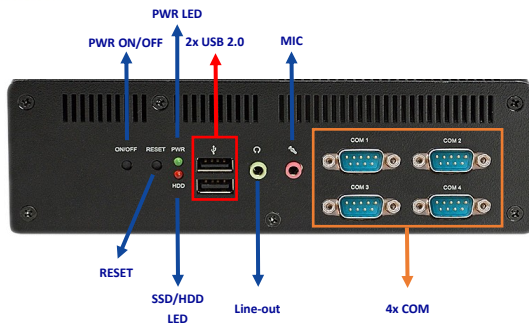
Strada Albareto, 503 - 41122 Modena - ITALY  
Tel. +39 059 8751076 Fax. +39 059 8751025



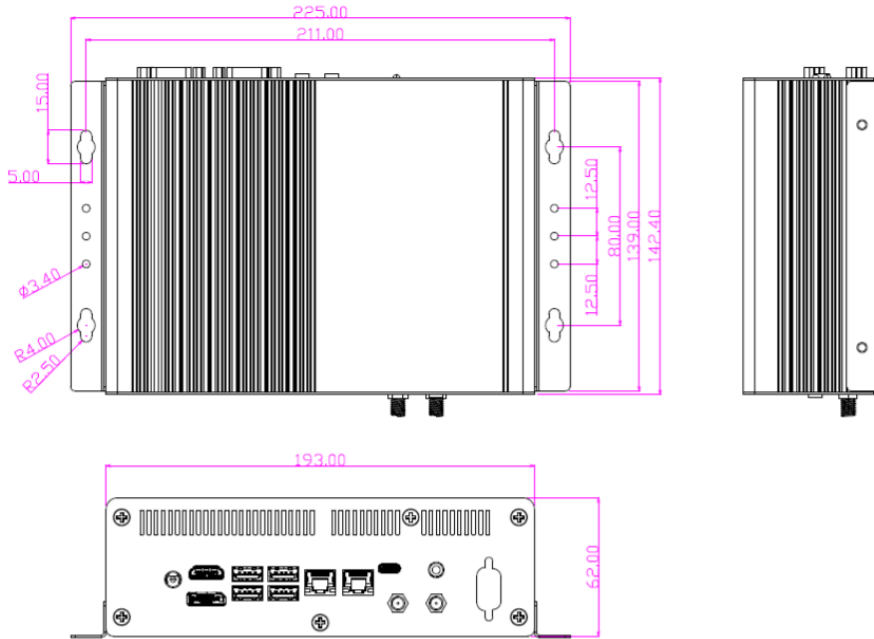
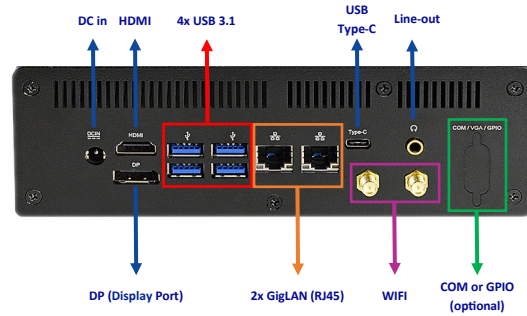
Website: [www.sarcitalia.it](http://www.sarcitalia.it)

Email: [info@sarcitalia.it](mailto:info@sarcitalia.it)

Front



Rear



**Order Code:**

<b>B04</b>	-	<b>23C</b>	-	<b>BACH</b>	-	<b>I5 8365U</b>	-	<b>RXX</b>	-	<b>SSDXXX</b>
------------	---	------------	---	-------------	---	-----------------	---	------------	---	---------------


**Accessories Included:**

- WALL + DIN Rail Mount Kit
- Power Adapter 12V @60W + Power Cable
- Dual Band WiFi Antenna
- Screw pack

<b>RAM</b>	<b>R08</b> (8 GB)
	<b>R16</b> (16 GB)
	<b>R32</b> (32 GB)

<b>SSD</b> (2,5")	<b>M2D or SSD128</b>
<b>MSD</b> (mSATA)	<b>M2D or SSD256</b>
<b>M2D</b> (M.2)	<b>Other on Request</b>

**Compatible OS:**

WINDOWS (64bit)	LINUX
Windows 10	CentOS 7
Windows 10 Enterprise LTSC (IoT)	Debian 9.8
	Fedora 28.1.1
	Ubuntu 18.04
	pfSense 2.4.4
	Android x86 8.1_rc1
	