

INDATECH®



ESP2 Series

FANLESS IPC

- Intel® Celeron, Core i5 / i7 7th Gen. 2-core 4-Thread CPU, 15W
- 1x DDR3L 2133 MHz up to 16 GB RAM
- Extended power supply range from 9V to 24V
- 2x LAN Intel® Gigabit Ethernet
- 2x Video interface (HDMI - VGA)
- 3x PCIe Slot options available



MAINBOARD

CPU:	Intel® Celeron 3865U (Standard)
	Intel® Core i5 7200U (Standard)
	Intel® Core i7 7500U (on request)

MEMORY

Capacity:	up to 16GB
Frequency:	1866 / 2133 MHz
Type:	1x SO-DIMM DDR4L

STORAGE

SATA:	1x SATA3
mSATA:	1x Shared mSATA / mini-PCIe combo (full size)
Storage Bay:	1x Internal 2.5" SSD Bay

I/O INTERFACE

Serial ports:	1x COM RS232/422/485 5x COM RS232
USB ports:	4x USB 3.0, 2x USB 2.0
Mini-PCIe:	1x Mini-PCIe (Half size) for WIFI/4G module
SIM:	1x Embedded SIM Slot
Optional:	1x GPIO, 1x PS/2, 1x Audio

EXPANSION

PCI Slots:	PCI Slot options: <ul style="list-style-type: none">• 1x PCIe 4X + 1x PCI(32 bit) (Standard)• 2x PCI (32 bit)• 1x PCIE 4X + 1x PCIE 1X
-------------------	--

VIDEO

GPU:	Intel® HD 610/620 Graphics
Interface:	1x HDMI (Up to 4096x2304 @60Hz) 1x VGA (Up to 1920x1080 @60Hz)

ETHERNET

LAN:	2x Intel i211AT Gigabit LAN
-------------	-----------------------------

POWER

Power in:	9 to 36V, DC-in
Power consumption:	60W max
Adapter:	AC_90~240V / DC_12V_3A/60W

MECHANICAL

Material:	Lightweight aluminum alloy with extruded aluminum IO panel
Dimensions:	(L)215x(W)115x(H)185mm
Weight:	3.0Kg
Mounting:	Wall-Mount (Available in 2 version)

ENVIRONMENT

Operating temp.:	-10°C to 50°C with air flow
Storage temp.:	-20°C to 70°C
Humidity:	5% to 95% Humidity, non-condensing
EMC:	CE, FCC, RoHS, ErP Ready

SARC ITALIA SRL

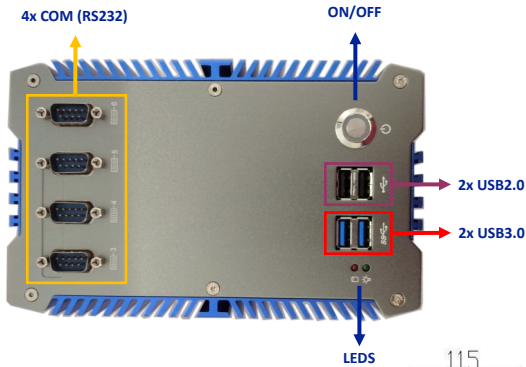
Strada Albareto, 503 - 41122 Modena - ITALY
Tel. +39 059 8751076 Fax. +39 059 8751025



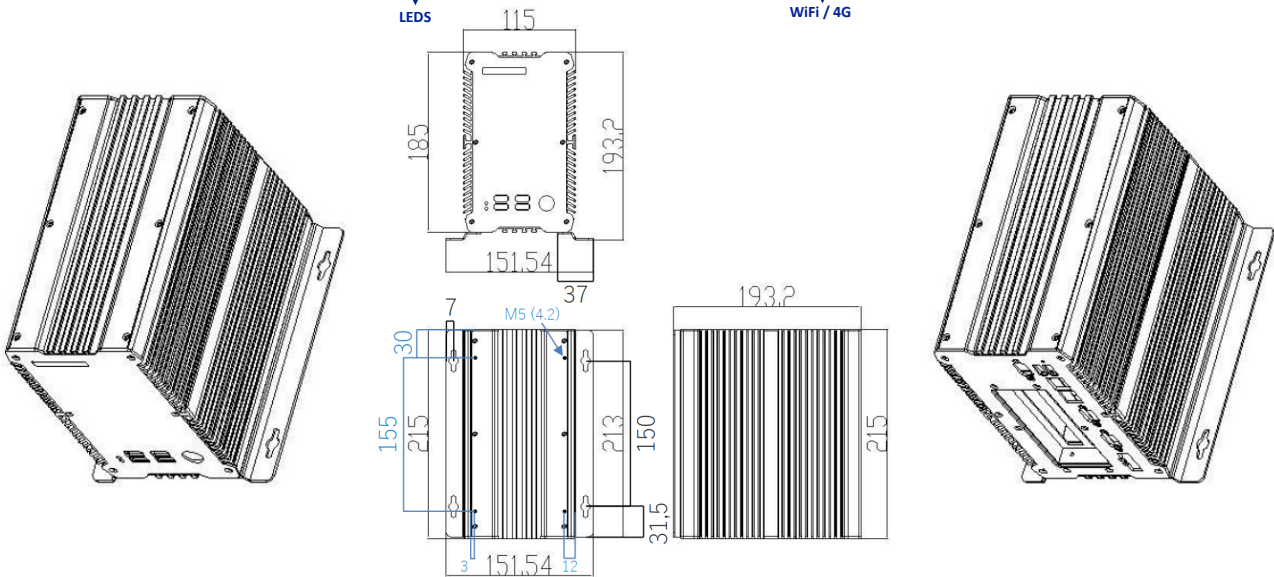
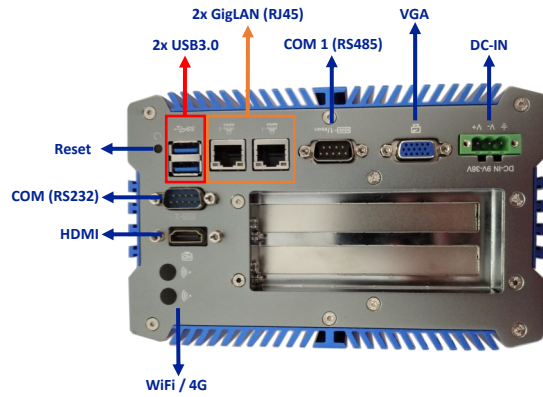
Website: www.sarcitalia.it

Email: info@sarcitalia.it

Front



Rear



Accessories Included:

- WALL Mount Kit (Available in 2 version)
- Power Adapter 12V @60W + Power Cable
- Dual Band WiFi Antenna
- Screw pack

Compatible OS:

MS WINDOWS (64bit)

- Windows 10
- **Windows 10 Enterprise LTSC (IoT)**
- Windows 11
- Windows 11 Enterprise LTSC (IoT)



LINUX *

- CentOS 8
- Debian 10
- Fedora 34
- Ubuntu 20.04 LTS
- pfSense 2.4.4



* Linux distributions tested with the IPC.

Order Code:

B04 - 16E - ESP2 - XXXXXXX - RXX - SSDXXX

CPU	3865U/3867U	RAM	R08	(8 GB)	STORAGE	SSD (2,5")	M2D/SSD128
	15 7200U		R16	(16 GB)		MSD (mSATA)	M2D/SSD256
	17 7500U					M2D (M.2)	Other on Request

SARC ITALIA SRL

Strada Albareto, 503 - 41122 Modena - ITALY
Tel. +39 059 8751076 Fax. +39 059 8751025



Website: www.sarcitalia.it

Email: info@sarcitalia.it