



## ESP2 Series

FANLESS IPC

- Intel® Celeron, Core i5 / i7 7th Gen. 2-core 4-Thread CPU, 15W
- 1x DDR3L 2133 MHz up to 16 GB RAM
- Extended power supply range from 9V to 24V
- 2x LAN Intel® Gigabit Ethernet
- 2x Video interface (HDMI - VGA)
- 3x PCIe Slot options available



### MAINBOARD

<b>CPU:</b>	Intel® Celeron 3865U (Standard)
	Intel® Core i5 7200U (Standard)
	Intel® Core i7 7500U (on request)

### MEMORY

<b>Capacity:</b>	up to 16GB
<b>Frequency:</b>	1866 / 2133 MHz
<b>Type:</b>	1x SO-DIMM DDR4L

### STORAGE

<b>SATA:</b>	1x SATA3
<b>mSATA:</b>	1x Shared mSATA / mini-PCIe combo (full size)
<b>Storage Bay:</b>	1x Internal 2.5" SSD Bay

### I/O INTERFACE

<b>Serial ports:</b>	1x COM RS232/422/485 5x COM RS232
<b>USB ports:</b>	4x USB 3.0, 2x USB 2.0
<b>Mini-PCIe:</b>	1x Mini-PCIe (Half size) for WIFI/4G module
<b>SIM:</b>	1x Embedded SIM Slot
<b>Optional:</b>	1x GPIO, 1x PS/2, 1x Audio

### EXPANSION

<b>PCI Slots:</b>	PCI Slot options: <ul style="list-style-type: none"> <li>• 1x PCIe 4X + 1x PCI(32 bit) (Standard)</li> <li>• 2x PCI (32 bit)</li> <li>• 1x PCIE 4X + 1x PCIE 1X</li> </ul>
-------------------	--

### VIDEO

<b>GPU:</b>	Intel® HD 610/620 Graphics
<b>Interface:</b>	1x HDMI (Up to 4096x2304 @60Hz) 1x VGA (Up to 1920x1080 @60Hz)

### ETHERNET

<b>LAN:</b>	2x Intel i211AT Gigabit LAN
-------------	-----------------------------

### POWER

<b>Power in:</b>	9 to 36V, DC-in
<b>Power consumption:</b>	60W max
<b>Adapter:</b>	AC_90~240V / DC_12V_3A/60W

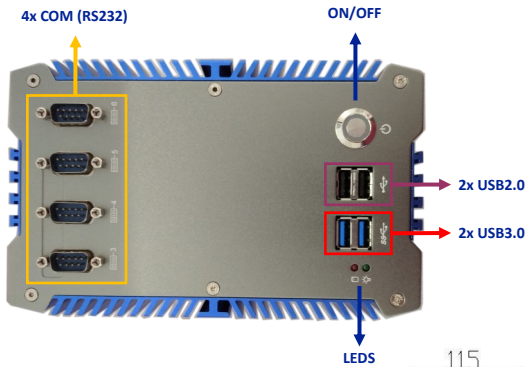
### MECHANICAL

<b>Material:</b>	Lightweight aluminum alloy with extruded aluminum IO panel
<b>Dimensions:</b>	(L)215x(W)115x(H)185mm
<b>Weight:</b>	3.0Kg
<b>Mounting:</b>	Wall-Mount (Available in 2 version)

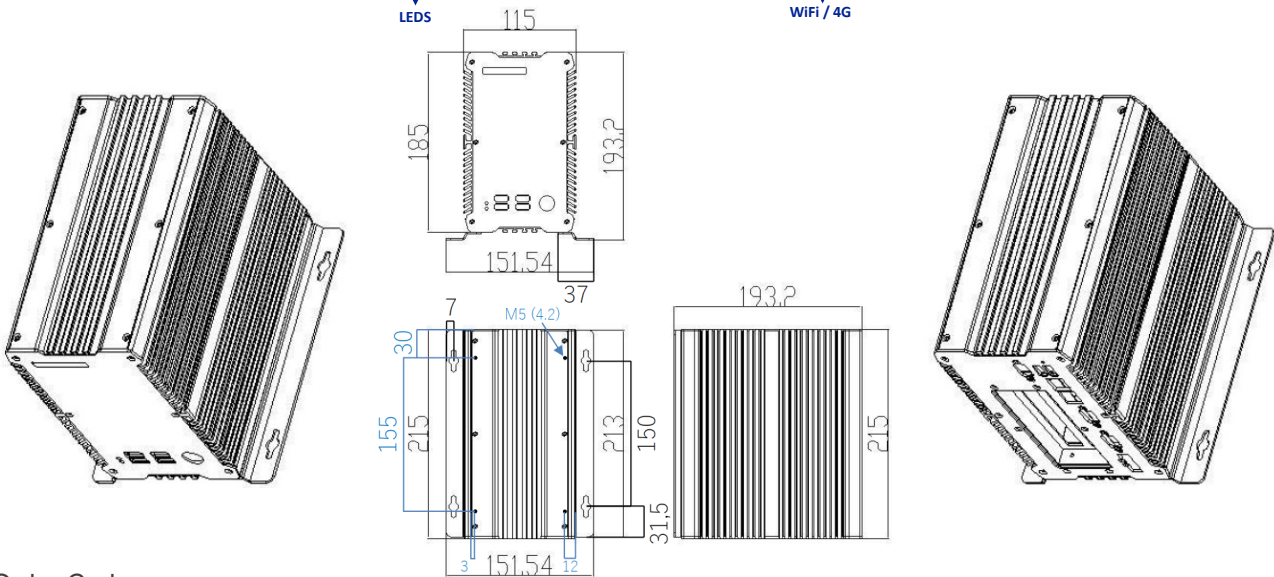
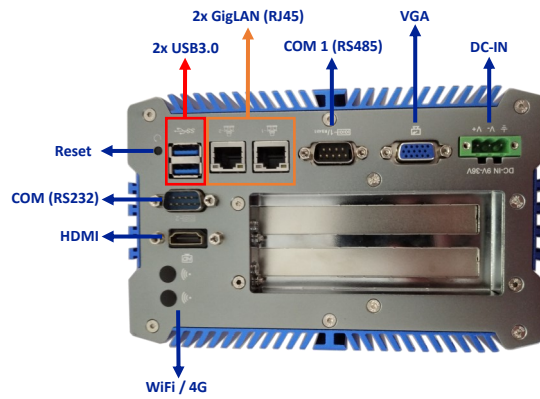
### ENVIRONMENT

<b>Operating temp.:</b>	-10°C to 50°C with air flow
<b>Storage temp.:</b>	-20°C to 70°C
<b>Humidity:</b>	5% to 95% Humidity, non-condensing
<b>EMC:</b>	CE, FCC, RoHS, ErP Ready

## Front



## Rear



### Order Code:

<b>B04</b>	-	<b>16E</b>	-	<b>ESP2</b>	-	<b>XXXXXXX</b>	-	<b>RXX</b>	-	<b>SSDXXX</b>
------------	---	------------	---	-------------	---	----------------	---	------------	---	---------------

### Accessories Included:

- WALL Mount Kit (Available in 2 version)
- Power Adapter 12V @60W + Power Cable
- Dual Band WiFi Antenna
- Screw pack

<b>CPU</b>	<b>I5 7200U</b>
	<b>I7 7500U</b>
	<b>3865U</b>

<b>RAM</b>	<b>R08 (8 GB)</b>
	<b>R16 (16 GB)</b>

<b>SSD (2,5")</b>	<b>MSD or SSD128</b>
<b>MSD (mSATA)</b>	<b>MSD or SSD256</b>
<b>M2D (M.2)</b>	<b>Other on Request</b>

### Compatible OS:

WINDOWS (32bit/64bit)		LINUX	
	Windows 7		CentOS 7_1804
	Windows 8.1		Debian 9.5
	Windows 10		Fedora 28.1.1
	Windows Embedded Standard 7/8		Ubuntu 18.04
	POSready 7		pfSense 2.4.3
	Windows 10 Enterprise LTSC (IoT)		Android x86 8.1_rc1

## SARC ITALIA SRL

Strada Albareto, 503 - 41122 Modena - ITALY  
Tel. +39 059 8751076 Fax. +39 059 8751025



Website: [www.sarcitalia.it](http://www.sarcitalia.it)

Email: [info@sarcitalia.it](mailto:info@sarcitalia.it)