

# VT-RM series

## Mosfet Redundancy modules

Switching Power Supply Redundant Modules for 9V, 12V, 24V, 48V



*Maximum reliability in  
redundant power systems*

## Features



### Main features

- For N+1 and 1+1 Redundant Systems
- Dual Input with Single Output
- Decouples the outputs of the power supplies. Automatically supplies load current from the system input supply with the higher voltage
- Smooth Switchover
- Based on a MOSFET design. Very low heat generation and the voltage drop
- Easy wiring



### Applications

- High Availability Systems
- Distributed Power Systems
- Telecom Infrastructure
- General use: industrial control, office, communication, and instrumentation equipment.



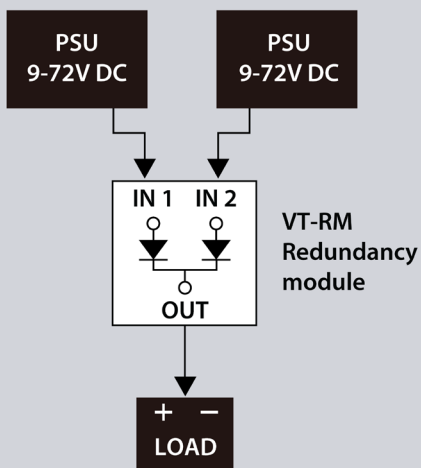
### Custom development / modification

- Vutlan offers custom design and modification of these products
- OEM / ODM possible.

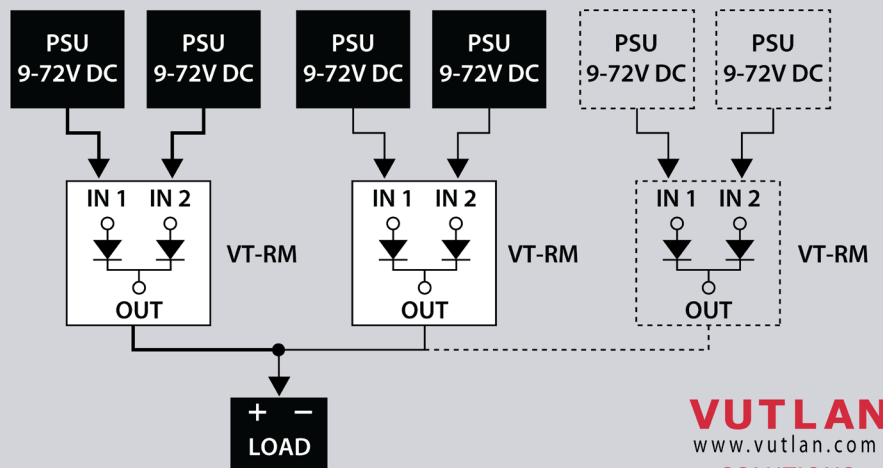
## Specifications

	VT-RM-9-12	VT-RM-24-48
<b>Output data:</b>		
Output voltage drop:	25mV	25mV
Output max. current	5A	3.75A
Number of outputs	1	1
<b>Input data:</b>		
Rated input Voltage	9-12VDC	24-48VDC
Max. input current	5A	3.75A
Number of inputs	2	2
<b>Connectors (IN, OUT):</b>		
Wire	26~12 AWG 2.5mm <sup>2</sup> (including ferrule)	
Torque	Torque: 0.5Nm (4.5lb-in)	
Strip length	6-7 mm	
Pitch	5.08 mm	
<b>Case material</b>		
Case material	Plastic	
<b>Cooling</b>		
Cooling	Free air convection	
<b>Operating temperature</b>		
Operating temperature	Min. -40°C - Max. +85°C	
<b>Storage temperature</b>		
Storage temperature	Min. -65°C - Max. +150°C	
<b>Operating humidity</b>		
Operating humidity	Min. 5% - Max. 95% non-condensing	
<b>Mounting</b>		
Mounting	35 mm DIN rail	
<b>Dimensions</b>		
Dimensions	Width: 36.3mm, Height: 90.2mm, Depth: 57.7 mm	
<b>Manufactured in (country)</b>		
Manufactured in (country)	Slovak Republic, E.U.	

### 1+1, Redundancy in parallel Model: VT-RM / Redundancy modules



### N+1, Redundancy in parallel Model: VT-RM / Redundancy module



**VUTLAN**  
www.vutlan.com  
SOLUTIONS